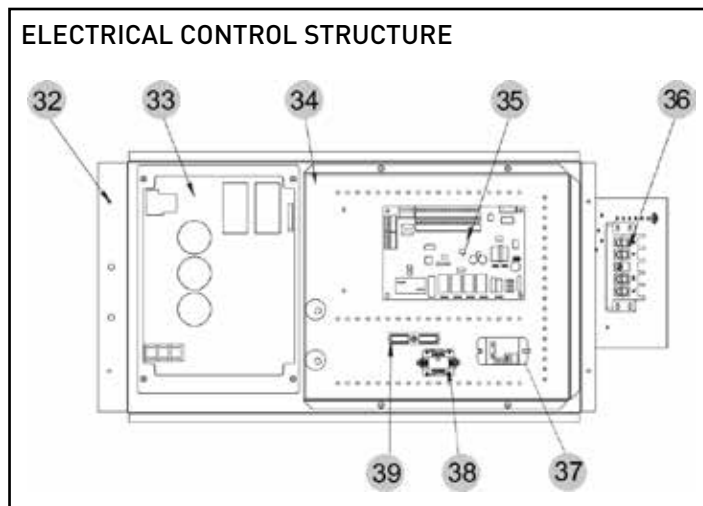
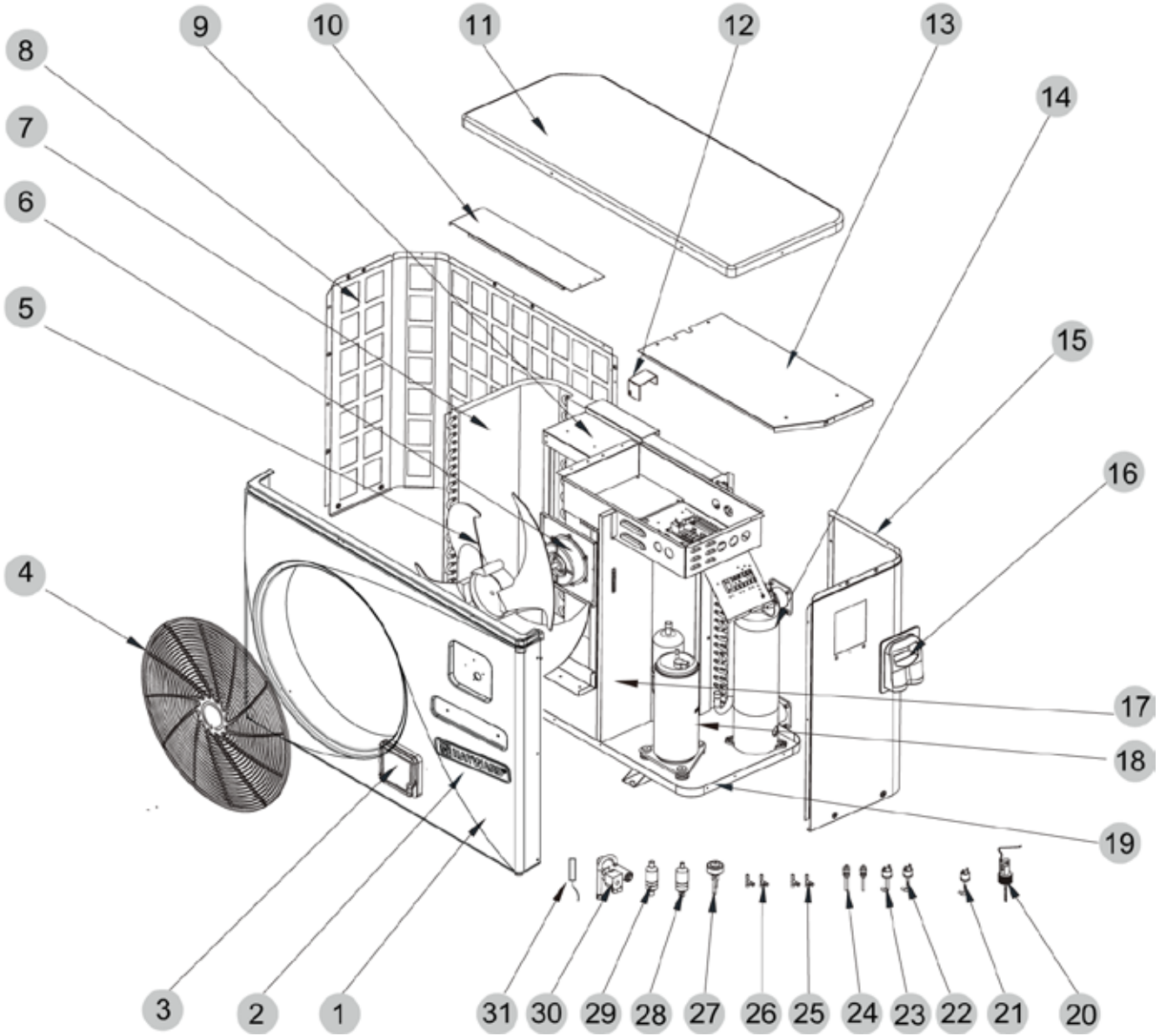


# HP50AEE

## HEAT PUMP REPLACEMENT PARTS

Parts Listing: HP50AEE

Heating



HP50AEE

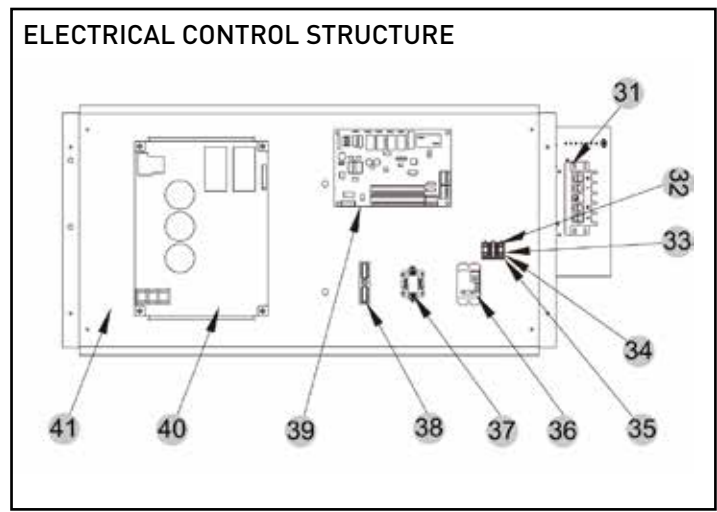
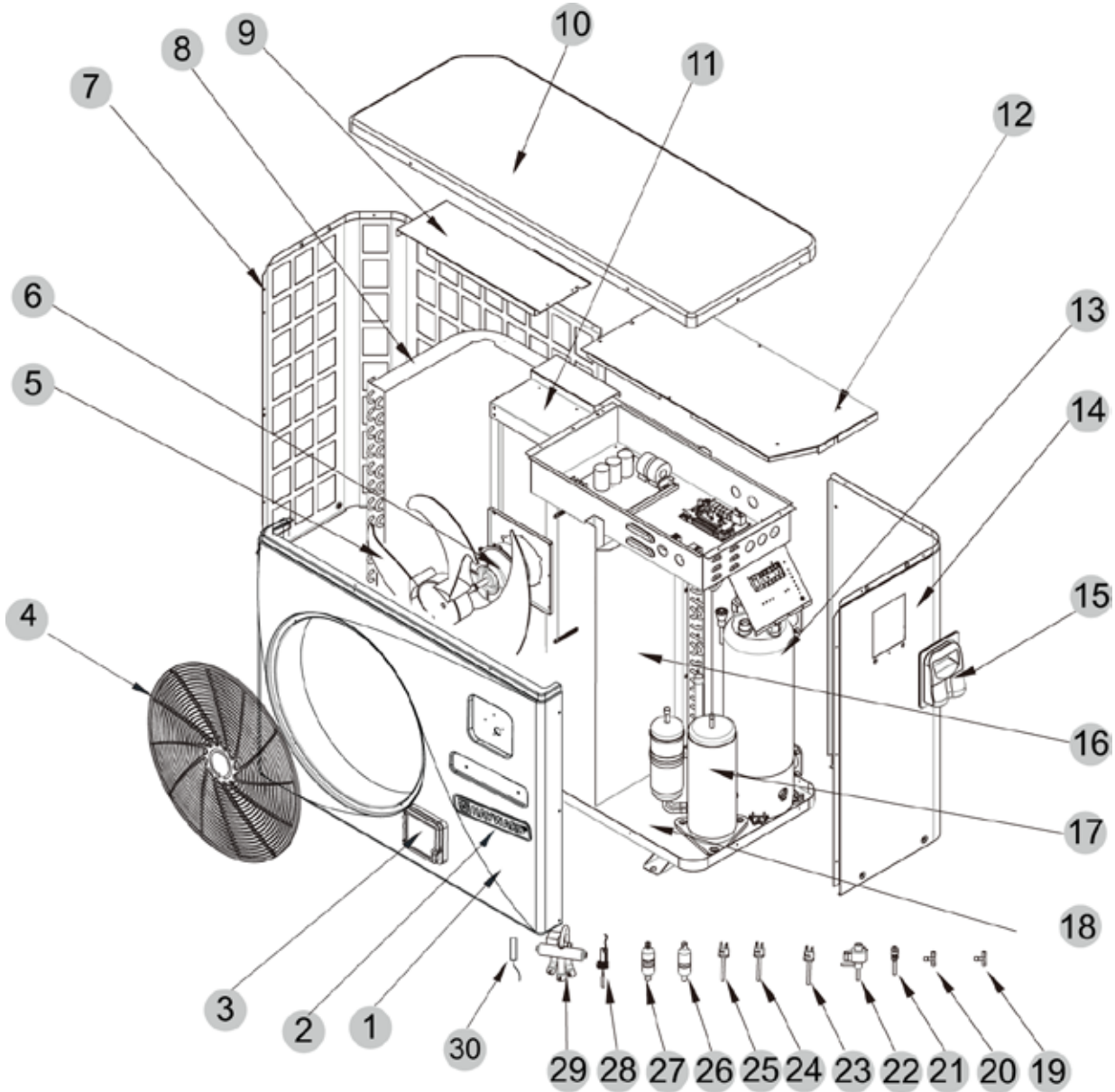
Ref. No.	Part No.	Description
1	301090-20120001	Front Box
2	20000-230596	Trademark
3	72200070	CP203
4	20000-220369	Fan net
5	20000-270004	Axial fan blade
6	20000-330132	DC
7	32012-120166	Finned heat exchanger
8	301070-20080006	Back network
9	32012-210570	Motor bracket
10	32012-210493	Top support plate
11	32012-210489	Top cover
12	32008-210167	Condensor splint
13	32012-210494	Electrical box cover
14	301060-20120002	Titanium tube heat exchanger
15	301070-20120021	Right side panel
16	32009-220029	Junction box
17	32009-220029	Middle partition
18	20000-110436	Compressor
19	301070-20120022	Chassis Assembly
20	20000-360005	Flow switch
21	20000-360157	Pressure Switch
22	2001-3605	Pressure Switch
23	20000-360059	Pressure Switch
24	20000-360157	Needle valve
25	2000-1460	Three links
26	304030-00000002	Three links
27	20000-140449	Electronic expansion valve
28	2004-1444	Filter (R410A)
29	20000-140618	Filter (R410A)
30	20000-140484	Four-way valve
31	2000-3242	Sensor
32	80701652	Electrical box assembly
33	20000-310170	Variable frequency drive
34	32012-210497	Electrical box line
35	95005-310569	PC1002 Controller
36	20000-390231	5-position terminal block
37	20000-360297	Relay
38	20000-360006	Contractor
39	2000-3909	2-position terminal block

# HP70AEE

## HEAT PUMP REPLACEMENT PARTS

Parts Listing: HP70AEE

Heating



## HP70AEE

Ref. No.	Part No.	Description
1	301090-0000004	Front Box
2	20000-230596	Trademark
3	72200070	CP203
4	20000-220369	Fan net
5	20000-270004	Axial fan blade
6	20000-330132	DC
7	80701595	Back network
8	301060-20180001	Finned heat exchanger
9	32009-210663	Support plate
10	80900216	Top cover
11	32009-210662	Motor bracket assembly
12	32009-210658	Electrical cover
13	80600265	Titanium tube heat exchanger
14	80701596	Right side panel
15	32009-220029	Junction box
16	32009-210664	Middle partition
17	20000-110217	Compressor
18	80701594	Chassis assembly
19	2000-1460	Three links
20	304030-00000002	Three links
21	20000-140150	Needle valve
22	20000-140572	Electronic expansion valve
23	20000-360157	Pressure Switch
24	2001-3605	Pressure switch
25	20000-360059	Pressure switch
26	2004-1444	Filter (R410A)
27	20000-140618	Filter (R410A)
28	20000-360005	Flow switch
29	20000-140485	Four-way valve
30	2000-3242	Sensor
31	20000-390231	5-position terminal block
32	20000-390049	Terminals
33	20000-390048	Terminals
34	20000-390046	Terminals
35	20000-390047	Terminal block
36	20000-360297	Relay
37	20000-360006	Contactora
38	2000-3909	2-position terminal block
39	95005-310569	PC1002 Controller
40	20000-310170	Variable frequency drive
41	32009-210651	Electrical box assembly