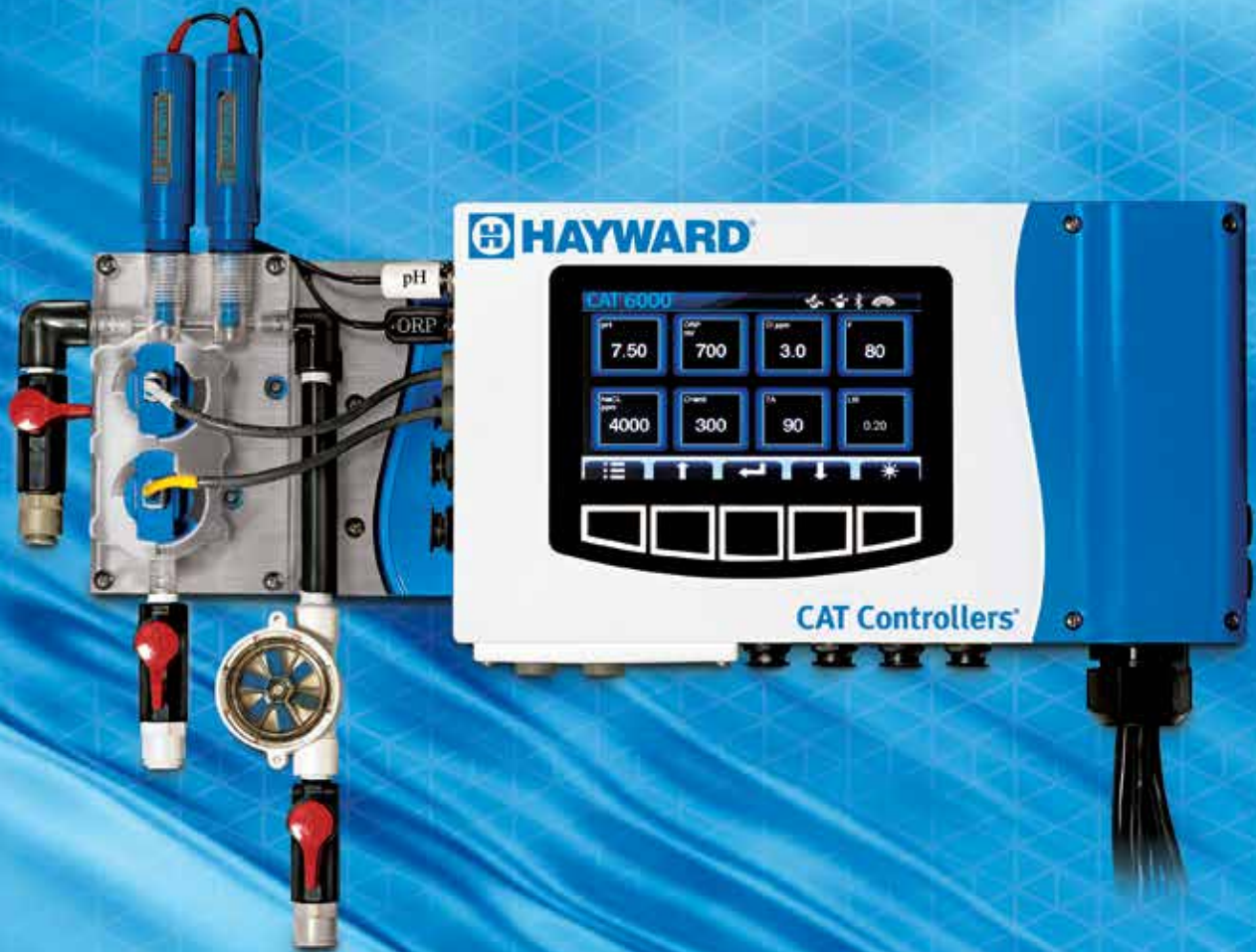




# CAT 6000™ Series

WIRELESS WATER  
CHEMISTRY CONTROLLER





# CAT 6000™ is the industry's most advanced water chemistry controller.



### INTUITIVE INSTALLATION AND PROGRAMMING

CAT 6000 is factory assembled to make installation effortless. The intuitive full-color touchscreen interface makes operation simple and straightforward with on-screen configuration and alarm instructions.



### DYNAMIC SANITIZER CONTROL

CAT 6000's extensive sensing capabilities utilize Dynamic Sanitizer Control, allowing for fine-tuning of water chemistry with multiple measurement prioritizations.



### SOLID-STATE RELIABILITY AND ACCURACY

Built with solid-state sensing technology, CAT 6000 sensors offer unmatched reliability and accuracy. A low-maintenance true free chlorine sensor provides an added level of precision and control.



### DESIGNED WITH EFFICIENCY IN MIND

CAT 6000 can monitor and audit chemical consumption data to make sure pool operation is as efficient as possible. Built-in Wi-Fi and cellular connectivity for remote access offer additional convenience and operational efficiency.



### [HAYWARD.COM/CAT6000](http://HAYWARD.COM/CAT6000)

Explore and experience CAT 6000's innovative features firsthand.



**Solid-state sensors** provide highly accurate true free chlorine, conductivity and temperature measurements along with Hayward's legacy pH and ORP sensors for unrivaled monitoring and control

**Intuitive touchscreen user interface** with full-color menu options provides guidance through programming

**NEMA 4X enclosure** is chemical resistant and shock proof

**Versatile control options** include 4-20 mA programmable inputs, flow and level sensing inputs, pump interlock input, 2 programmable auxiliary dry-contact outputs and a 3rd programmable power cable for ultimate operational flexibility

**Firmware updates** delivered wirelessly or via USB keep CAT 6000 on the cutting edge

**Lightweight mounting bracket** with slide-locking mechanism makes installation quick and easy



## TOTAL SYSTEM ACCESS FROM ABSOLUTELY ANYWHERE.

Take the power of CAT 6000 wherever you go with the innovative **PoolComm**® app. Whether you're managing a single spa or multiple commercial pools, PoolComm lets you view water quality data, print charts, analyze graphs—even receive alarms via email or text from any iPhone®, Android™ or other web-enabled smart device.

## TECHNICAL SPECIFICATIONS

Enclosure Type	15.00" x 9.75" x 3.55"	Control Accuracy	pH +/- 0.1 pH ORP +/- 5 mV Free chlorine +/- 10% ppm	Communications	2.4 GHz Wi-Fi, IEEE 802.11 b/g/n Cellular - optional RS485 serial Bluetooth
Enclosure Properties	NEMA 4X	Outputs	pH feed, 8 Amps, 115 VAC ORP feed, 8 Amps, 115 VAC Programmable AUX 1, 8 Amps, 115 VAC Programmable AUX 2, dry contact, 4 Amps, 115 VAC max Programmable AUX 3, dry contact, 4 Amps, 115VAC max	Safety Systems	pH low and high alarms Control sanitizer low and high alarms pH priority feed pH overfeed timeout Control sanitizer overfeed timeout Pump activation interlock Flow alarms pH interlock Tank level Filter pressure Vacuum pressure Suction pressure
Flame Resistance	UL746C				
Display	7" Color LCD w/ backlight and brightness control				
Front Panel	Acrylic display/switch cover				
Key Type	5-Key capacitive touch w/ backlight	Auxiliary Outputs (user programmable)	Remote alarm pH base feed pH acid feed ORP feed up ORP feed down Cl feed up Cl feed down NaCl down NaCl up TDS down TDS up Temp up Temp down Time-based activation Periodic Time of day based activation Primary control sanitizer	On-Screen Display	pH Water temperature Alarm Flow Wi-Fi communications
Flow Cell	Machined acrylic				
Flow Sensor	Rotary				
Backboard	Modular wall mount bracket				
Dedicated Inputs	ORP sensor Solid-state free chlorine sensor Solid-state conductivity (TDS) sensor w/ temperature CAT magnetic or rotary flow sensor Water temperature Pump activation interlock	Alarm Ranges	pH 6.0 - 9.0 ORP 200-995mV Cl 0-10.0ppm TDS high 0-7500 NaCl 0-9999 Saturation index -.5-+.5 Temperature 32-105F Pressure 0-200 PSI/inHg Flow 0-2400 gpm	Additional Sensor Readings (optional on-screen display)	Cl ORP TDS Salt Digital flow after filter Digital flow before filter Filter pressure Pump pressure Pump suction TDH
Programmable Inputs	(2) 4-20ma Inputs (2) Level Inputs (2) Level/flow Inputs				
Input Types	Optical pH tank level sensor Optical control sanitizer level sensor Optical UV/Ozone sensor Optical suction alarm sensor Optical wet level sensor Optical dry level sensor Digital flow meter 4-20ma filter pressure (PSI) 4-20ma pump pressure (PSI) 4-20ma pump suction (inHg)				
Set Point Range	pH 7.0 - 8.0 ORP 525-995mV Cl 0-4.0ppm				
Internet URL	poolcomm.com	Alarm Format	Visual, audio, email, internet	Certifications	NSF/ANSI Standard 50 ETL to UL94-5V (UL746 C5) ETL to CSA - Canada/US NEMA type 1, 4, 4X, 6, 12, 13
				Miscellaneous	Selectable units English/Metric Wi-Fi access point server/client Password protection

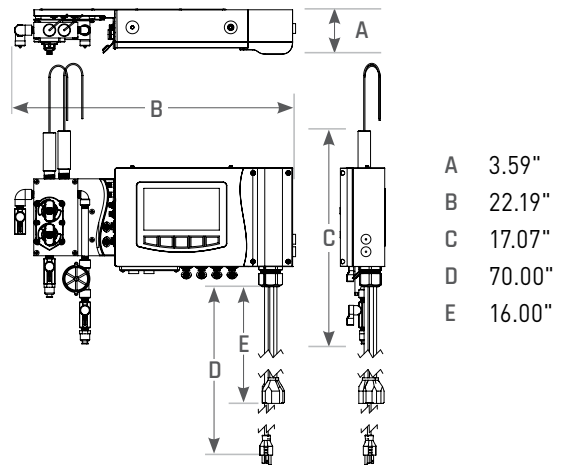
## PART NUMBERS

PART NUMBER	DESCRIPTION	CARTON	
		QTY	WEIGHT
CATPP6000WIFICF	CAT 6000™ with Free Chlorine Sensor, Temp, Cond, NaCl, Wi-Fi, Machined Flow Cell & RFS	1	25 lbs.

## OPTIONAL EQUIPMENT

PART NUMBER	DESCRIPTION	CARTON	
		QTY	WEIGHT
LS010	Level sensor	1	1 lb.
DF010	Digital flow sensor	1	2 lbs.
AQL-CHEM4-ACID	Complete pH Chemical Feed System with 15-Gallon Tank and Containment Tray	1	24 lbs.
AQL-CHEM4-CHLOR	Complete Cl Chemical Feed System with 15-Gallon Tank and Containment Tray	1	24 lbs.

## DIMENSIONS



» haywardcommercialpool.com » (301) 838-4001

CAT 6000 Controllers are listed by:



Hayward, Hayward & Design, the H logo and PoolComm are registered trademarks and CAT 6000 is a trademark of Hayward Industries, Inc. All other trademarks not owned by Hayward are the property of their respective owners. Hayward is not in any way affiliated with or endorsed by those third parties. © 2018 Hayward Industries, Inc.

LITCC6000A18

