

# HCF Commercial Filters

Laminated Sand Filters

EFFICIENT HIGH PERFORMANCE FILTRATION



**5** YEAR  
WARRANTY



HCF SERIES SAND FILTER 30"

HCF SERIES SAND FILTER 34"

HCF SERIES SAND FILTER 36"

## HIGH-PERFORMANCE FILTRATION ENGINEERED TO STAND THE TEST OF TIME.

The HCF Series sand filter sets a new standard for performance and durability in the recreational water market. Designed to improve filtration and lengthen filter cycles, it also includes a **UV-protected gel coat** that shields the filter against the elements, preventing fiberglass blooming. Its secure lid mechanism enables easy inspection, and because it's manufactured from proprietary resins and fiberglass, it's virtually corrosion proof.



### OPTIMIZED FILTER DESIGN

Multi-diffuser distribution heads and oversized laterals distribute water more evenly, lengthening filter cycle time and improving overall filtration effectiveness.



### EASE OF ACCESS AND SIMPLE OPERATION

The clear lid is easily accessible from the top of the filter to troubleshoot and simplify operation. The twist lock ring allows for easy in and out internal access.



### HASSLE-FREE SERVICE AND INSTALLATION

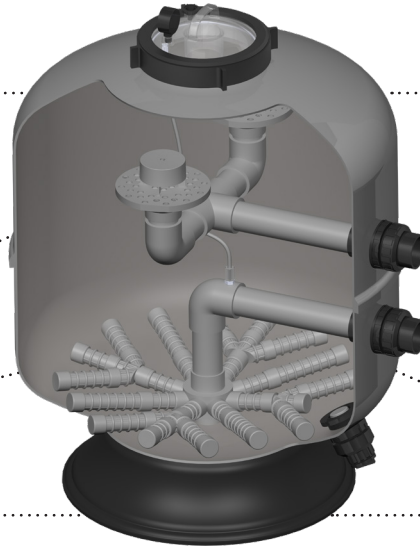
The 34" HCF sand filter fits through standard 36" doorways with no need to remove the door frame. The commercial-grade filters include standard Unions saving time and money.

**34" model** fits through standard 36" doorways with no need to remove the door frame, simplifying replacement installations

**Multi-diffuser distribution heads and oversized laterals** improve filtration and lengthen filter cycle time

**Manufactured from proprietary resins and fiberglass** to be virtually corrosion proof

**Large (8") manway with simple & secure locking ring** for easy inspection



**36" model** available with 2.5" or 3" connections

**Commercial grade, PVC and Polypropylene injection molded slotted laterals** resist corrosion to ensure high performance

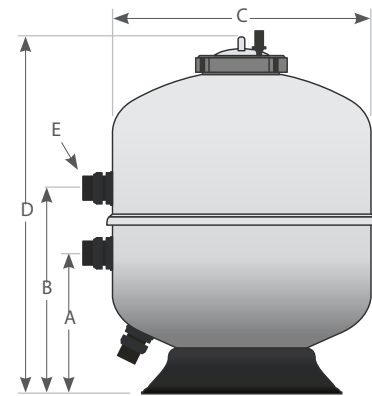
**UV-protected gel coat** protects the filter from the environments and algae blooming

**Drain port conveniently located** in the center of the filter

HCF230C

**DIMENSIONS**

FILTER MODEL NUMBER	DIMENSIONS (INCHES)					SAND QTY. LBS.	INSTALLATION CLEARANCE (INCHES)		CARTON WEIGHT LBS.	CARTON DIMENSIONS (LxWxH)
	A	B	C	D	E		VERT.	HOR.		
HCF230C	16.25	23.75	31.49	42.6	2	600	18	4	108	33.5" x 33.5" x 40.2"
HCF234C*	18.75	26.25	33.85	46.4	2	750	18	4	134.4	37" x 37" x 44.5"
HCF236C	18.75	26.25	37.4	47.6	2.5	900	18	4	167.5	38.6" x 38.6" x 45.7"
HCF336C	18.5	26.22	37.4	47.6	3	900	18	4	180.7	38.6" x 38.6" x 45.7"



**TECHNICAL SPECIFICATIONS & PERFORMANCE DATA**

Part Number	HCF230C		HCF234C		HCF236C		HCF336C	
Size of Fiberglass Sand Filter	30"		34"		36"		36"	
Filtration Area/ft <sup>2</sup> /M <sup>2</sup>	4.9	0.45	6.31	0.59	7.05	0.65	7.05	0.65
Filtration Rate GPM/ft <sup>2</sup>	5-20		5-20		5-20		5-20	
Filtration Flow Rate at 15 GPM/ft <sup>2</sup> [GPM] (LPM)	73	278	94	358	105	400	105	400
Filtration Flow Rate at 20 GPM/ft <sup>2</sup> [GPM] (LPM)	98	370	126	476	141	533	141	533
Backwash Flow Rate GPM/ft <sup>2</sup>	5-20		5-20		5-20		5-20	
Maximum Working Pressure (PSI)	50		50		50		50	
Multiport Valve Part Number	HCV275C		HCV275C		HCV2575C		HCV375*	
Inlet/Outlet Connection Type	Union**		Union**		Union**		Union/ANSI Flange**	
Inlet/Outlet Port Diameter	2"		2"		2.5"		3"	

\*PN HCV375 requires field plumbing.  
\*\* Inlet/outlet connection type included.