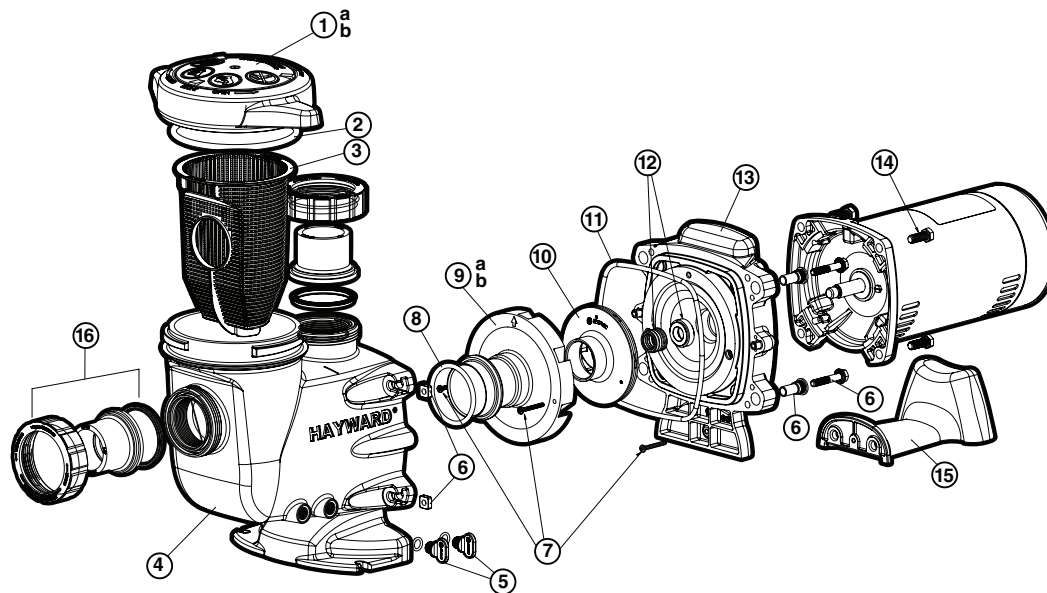




Max-Flo XL™

SP2800X SERIES (MAX RATED) REPLACEMENT PARTS

Parts for Pump Models: SP2307X10, SP2310X15



Ref. No.	Part No.	Description	Ctn. Qty.	Qty Req'd
1a	SPX2300DLS	Strainer Cover Kit (Includes Strainer Cover, Lock-Ring, O-Ring)	1	
1b	SPX2300DLSB	Strainer Cover Kit for Biguanide Sanitizers (Includes Strainer Cover, Lock-Ring, O-Ring) NOT Pressure Testable	1	
2	SPX2300Z4	Strainer Cover O-Ring	1	
3	SPX2300M	Strainer Basket	1	
4	SPX2300AA	Pump Strainer Housing with Drain Plugs	1	
5	SPX4000FG	Drain Plug with O-Ring	2	
6	SPX2700ZPAK	Hardware Pack (Includes 4 Housing Bolts, Seal-Plate Spacers and Square Nuts)	1	
7	SPX2300Z3PAK3	Diffuser Screws (Pack of 3)	1	
8	SX220Z2	Diffuser O-Ring	1	
9	SPX2300B	Diffuser	1	
10	SPX2707CM	Impeller for 1 H.P. Max-Rate Pump	1	
	SPX2710CM	Impeller for 1 1/2 H.P. Max-Rate Pump	1	
11	GMX600F	Housing O-Ring	1	
12	SPX2700SA	Shaft Seal Assembly	1	
13	SPX2300E	Seal Plate	1	
14	SPX3200Z5PAK4	Motor Bolt (Pack of 4)	1	
15	SPX2300G	Motor Support with Base Mount Screws	1	
16	SPX1600Z52	Motor Support Base Mount Screws	1	
17	SPX2700UNKIT	Union Connector Kit (Includes 2 Nuts, Connectors, Gaskets)	1	

MOTORS

SPX2707Z1M	Motor, 1 H.P., Threaded Shaft (Single Phase, 60 cycle 115/208-230V)	1
SPX2710Z1M	Motor, 1 1/2 H.P., Threaded Shaft (Single Phas, 60 Cycle 115/208-230V)	1