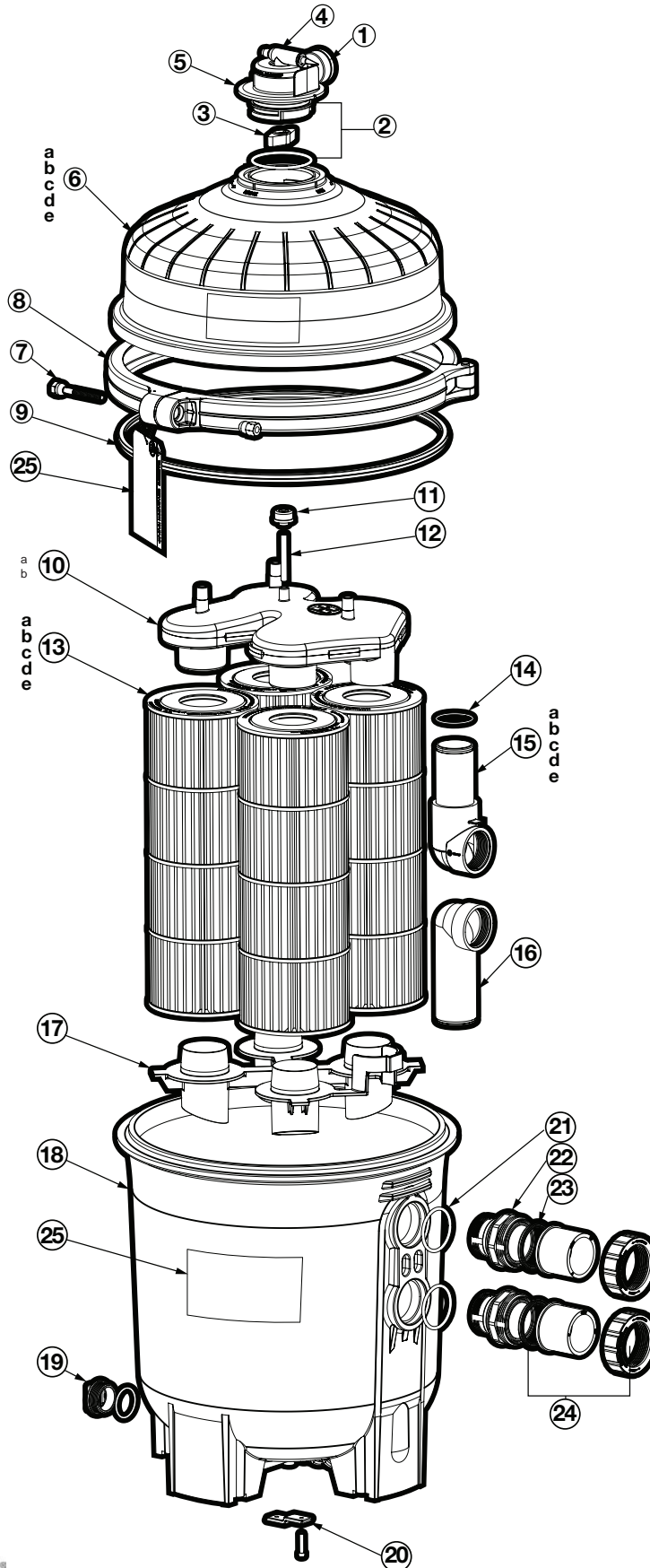




SwimClear™

REPLACEMENT PARTS

Parts Diagram



Filters

Parts Listing

Ref. No.	Part No.	Description	Ctn. Qty.	No. Req'd
1	ECX2712B1	Pressure Gauge	1	1
2	DEX2420Z8A	O-Ring Kit (<i>Set of 2</i>)	1	1
3	CCX1000N	Air Relief Valve Nut	1	1
4	CCX1000V	Manual Air Relief with O-Ring	1	1
5	DEX2420MAR2	Manual Air Relief Assembly	1	1
6a	DEX2420BTC	Upper Filter Body C2030	1	1
6b	DEX3620BTC	Upper Filter Body C3030	1	1
6c	DEX4820BTC	Upper Filter Body C4030	1	1
6d	DEX6020BTC	Upper Filter Body C5030	1	1
6e	DEX7220BTC	Upper Filter Body C7030	1	1
7	DEX2421J2	Clamp Bolt & Nut	1	1
8	DEX2421JKIT	Clamp System (Includes Clamp, Clamp Nut and Bolt, Hang Tag, Metal Reinforced Seal, and Labels)	1	1
9	DEX2422Z2	Metal Reinforced Seal	1	1
10a	CX3030C	Top Manifold C2030, C3030, C4030	1	1
10b	CX5030C	Top Manifold C5030, C7030	1	1
11	CX3000J1	Air Relief Filter Screen	1	1
12	CX2030Z3	Air Relief Tube	1	1
13a	CX481XRE	Cartridge Element C2030 (<i>4 required</i>)	1	4
13b	CX580XRE	Cartridge Element C3030 (<i>4 required</i>)	1	4
13c	CX880XRE	Cartridge Element C4030 (<i>4 required</i>)	1	4
13d	CX1280XRE	Cartridge Element C5030 (<i>4 required</i>)	1	4
13e	CX590XRE	Cartridge Element C7030 Series (<i>8 required</i>)	1	8
—	CX7020M	Mid plate Connector C7000 only	1	1
14	DEX2400Z5	O-Ring	1	1
15a	CX3030F1	Outlet Elbow with Pipe C2030	1	1
15b	CX3030F2	Outlet Elbow with Pipe C3030	1	1
15c	CX3030F3	Outlet Elbow with Pipe C4030	1	1
15d	CX3030F4	Outlet Elbow with Pipe C5030	1	1
15e	CX3030F5	Outlet Elbow with Pipe C7030	1	1
16	CX3020FB	Inlet Elbow	1	1
17	C3030D	Bottom Seal Plate	1	1
18	DEX2420ATC	Lower Filter Body	1	1
19	SP1022C	1 ½" Drain Plug with O-Ring	1	1
20	DEX2420DCKIT	Strap Kit (Optional)	1	1
21	SX220Z2	O-Ring	1	1
22	CX3035F	Bulkhead Fitting	1	1
23	SPX3200UG	Union Gasket (T-seal)	1	1
24	SPX3200UNKIT	Union Connection Kit (Includes Nut, Connector, Gasket)	1	1
25	DEX2420LA6PAK	Label Pack (Includes all Warning and Operation Label's Hang Tag, Wire Tie and Owner's Manual)	1	1

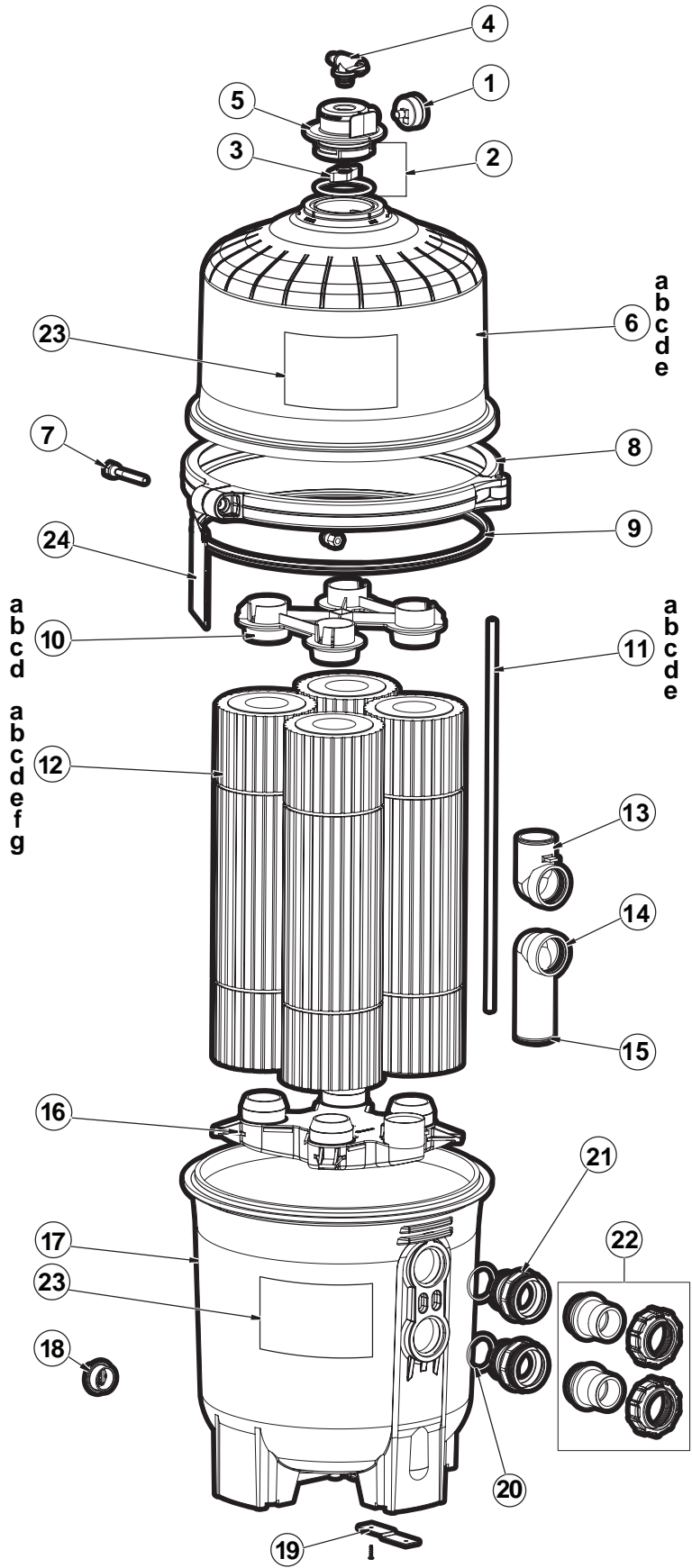


SwimClear™

CARTRIDGE FILTER SERIES REPLACEMENT PARTS

Parts Diagram

Filter-s



Parts Listing

Ref. No.	Part No.	Description	Ctn. Qty.	No. Req'd
1	ECX2712B1	Pressure Gauge	10	1
2	DEX2420Z8A	O-Ring Kit (<i>Set of 2</i>)	10	1
3	CCX1000N	Manual Air Relief Valve Nut	10	1
4	CCX1000V	Manual Air Relief Valve with O-Ring	1	1
5	DEX2420MAR2	Manual Air Relief Assembly	1	1
6a	DEX2420BTC	Filter Head (C2020/C2025)	1	1
6b	DEX3620BTC	Filter Head (C3020/C3025)	1	1
6c	DEX4820BTC	Filter Head (C4020/C4025)	1	1
6d	DEX6020BTC	Filter Head (C5020/C5025)	1	1
6e	DEX7220BTC	Filter Head (C7000 Series)	1	1
7	DEX2421J2*	Clamp Bolt and Nut	10	1
8	DEX2421JKIT	Clamp Assembly (including Clamp, Clamp Nut and Bolt, Warning Hang Tag, Metal Reinforced Seal and Labels)	1	1
9	DEX2422Z2*	Metal Reinforced Seal	10	1
10a	CX2020DA	Top Closure Plate (C2020/C2025)	1	1
10b	CX3020DA	Top Closure Plate (C3020/C3025, C4020/C4025)	1	1
10c	CX5020DA	Top Closure Plate (C5020/C5025)	1	1
10d	CX3020D4	Top Closure Plate (C7000 Series)	1	1
11a	CX800Z4	Air Relief Tube Assembly (C2020/C2025)	2	1
11b	CX3000Z3	Air Relief Tube Assembly (C3020/C3025)	2	1
11c	CX4000Z3	Air Relief Tube Assembly (C4020/C4025)	2	1
11d	CX5000Z3	Air Relief Tube Assembly (C5020/C5025)	2	1
11e	CX7000Z3	Air Relief Tube Assembly (C7000 Series)	2	1
12a	CX480XRE	Replacement Element (C2020/C2025)	1	4
12b	CX580XRE	Replacement Element (C3020/C3025)	1	4
12c	CX880XRE	Replacement Element (C4020/C4025)	1	4
12d	CX875RE	Replacement Element (C4520 Series)	1	4
12e	CX1280XRE	Replacement Element (C5020/C5025)	1	4
12f	CX1380RE	Replacement Element (C5520 Series)	1	4
12g	CX590REM	Replacement Element (C7000 Series)	1	8
—	CX7020M	Mid-plate Connector (C7000 Series only)	1	1
13	CX3000F1B	Inlet Elbow	5	1
14	CX3020FB	Outlet Elbow	5	1
15	DEX360M	O-Ring	10	1
16	CX3000C	Bottom Collector Manifold	1	1
17	DEX2420ATC	Filter Body	1	1
18	SP1022C	1 ½" Drain Plug with O-Ring	100	1
19	DEX2420DCKIT	Strap Kit (Optional)	10	1
20	SX220Z2	O-Ring	10	2
21	DEX2420F	Bulkhead Fitting	25	2
22	DE2400PAK2CS	Plumbing Kit (includes 2 O-Rings, 2 Slip Connectors and 2 Locknuts)	10	1
23	DEX2420LA6PAK	Label Pack (includes all Warning and Operation Labels, Hang Tag (#24), Wire Tie and Owner's Manual)	10	1
24	DEX2420LA6PAK	Label Pack – Complete as above (DEX2420LA6PAK)	10	1

*Compatible only with DEX2421JKIT clamp system for Hayward Pro-Grid D.E. and SwimClear cartridge filters.