



EcoStar® Series

»» Variable-Speed Pumps

THE MOST ENERGY-EFFICIENT
PUMP IN ITS CLASS



No-rib strainer basket with see-through cover ensures easy debris removal

2" x 2½" union connections allow for seamless installation in any application

Advanced hydraulic design creates quieter, more efficient operation



Intuitive control pad can be rotated in four directions on the pump or removed and wall mounted



BEST-IN-CLASS ENERGY EFFICIENCY

EcoStar® variable-speed pool pumps provide best-in-class energy efficiency, saving up to \$1,500 per year in energy costs. They are an easy upgrade for most single-speed models up to 3 HP, and their ENERGY STAR® rating means local utility rebates may also apply.



DESIGNED FOR SAFETY

EcoStar SVRS features an integrated, regulation-compliant Safety Vacuum Release System. This feature helps you rest assured suction entrapment issues can be avoided with EcoStar SVRS in your pool.



EASY TO INSTALL

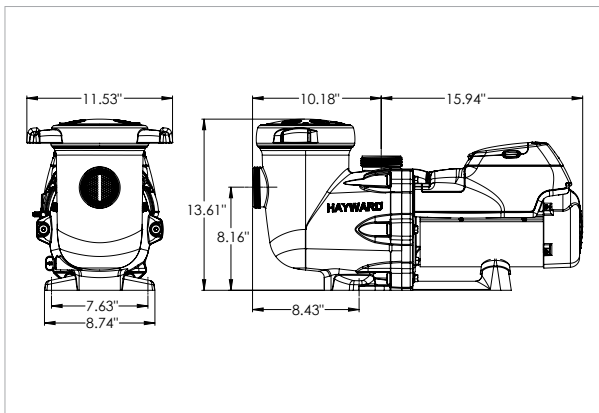
Designed for simple installation, EcoStar pumps can operate in standalone mode or connect to any automation system, either directly or with relays.



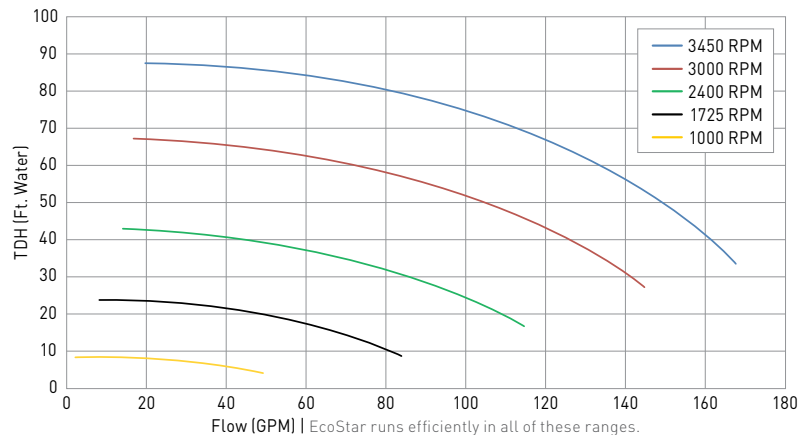
SPECIFICATIONS

MODEL NUMBER	DESCRIPTION	SPEED RANGE	VOLTAGE	UNION CONNECTIONS
SP3400VSP	ECOSTAR	600-3450 RPM	230V Single Phase	2" x 2.5"
SP3400VSPVR	ECOSTAR SVRS	1000-3450 RPM	230V Single Phase	2" x 2.5"

ECOSTAR DIMENSIONS (INCHES)



ECOSTAR PERFORMANCE COMPARISON



» hayward.com » 1-888-HAYWARD

EcoStar series pumps are listed by:



Pumps » Filters » Heating » Cleaners » Sanitization » Automation » Lighting » Water Effects » White Goods

Hayward and EcoStar are registered trademarks of Hayward Industries, Inc. © 2017 Hayward Industries, Inc. ENERGY STAR is a registered mark owned by the U.S. government. All other trademarks not owned by Hayward are the property of their respective owners. Hayward is not in any way affiliated with or endorsed by those third parties.

LITECOSS17

